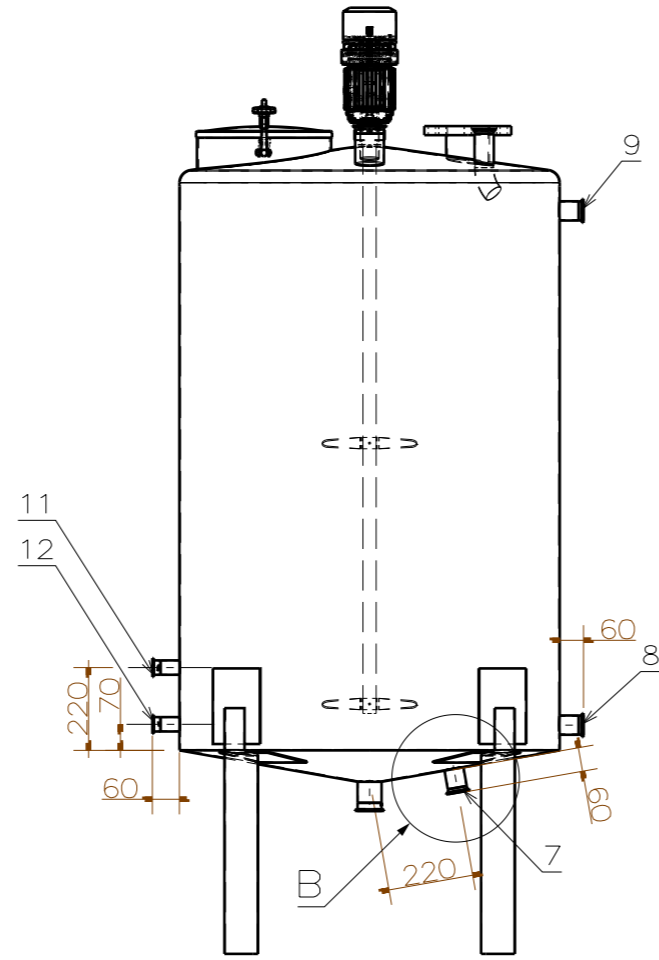
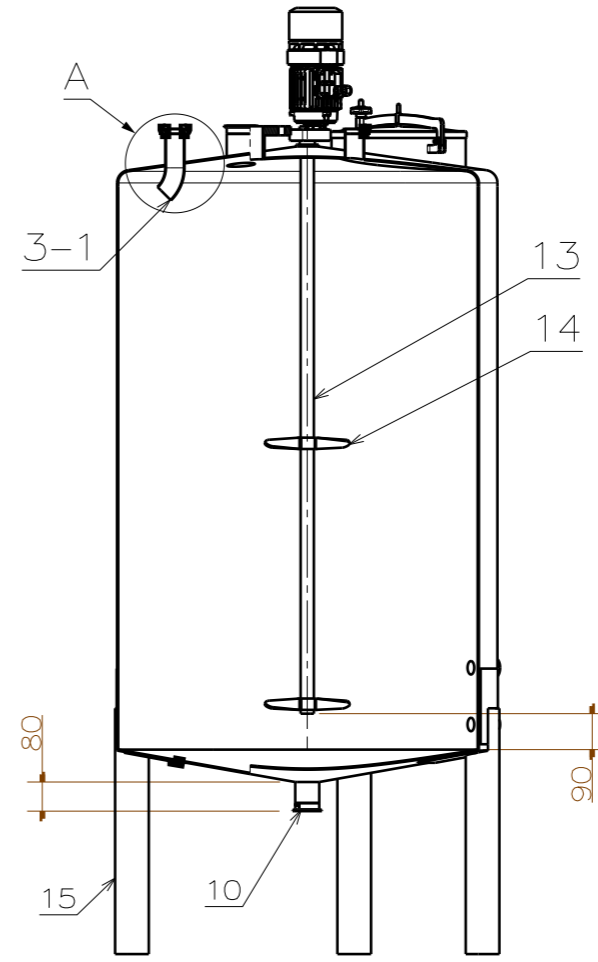


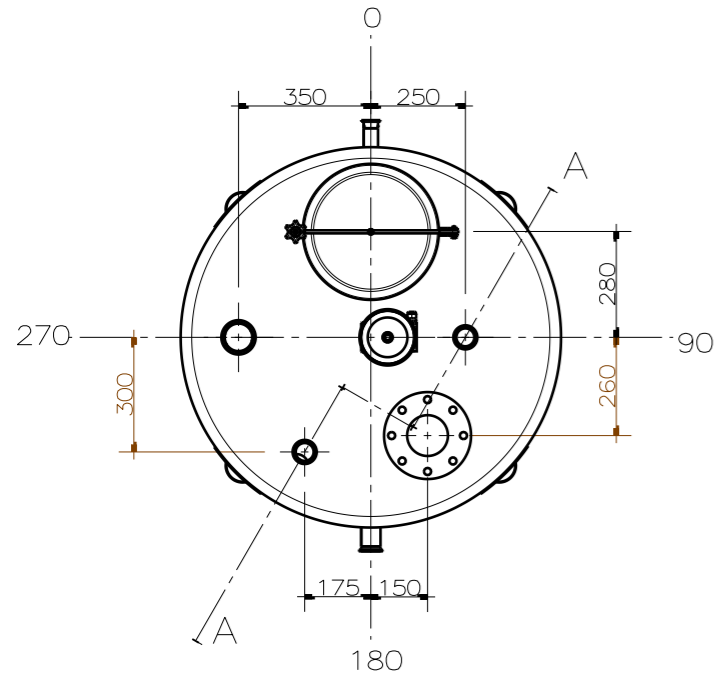
Auxiliary view C
Scale: 1:20



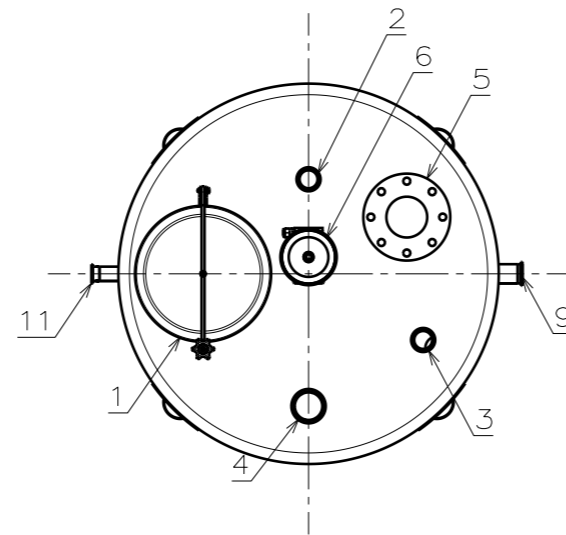
Bottom view
Scale: 1:20



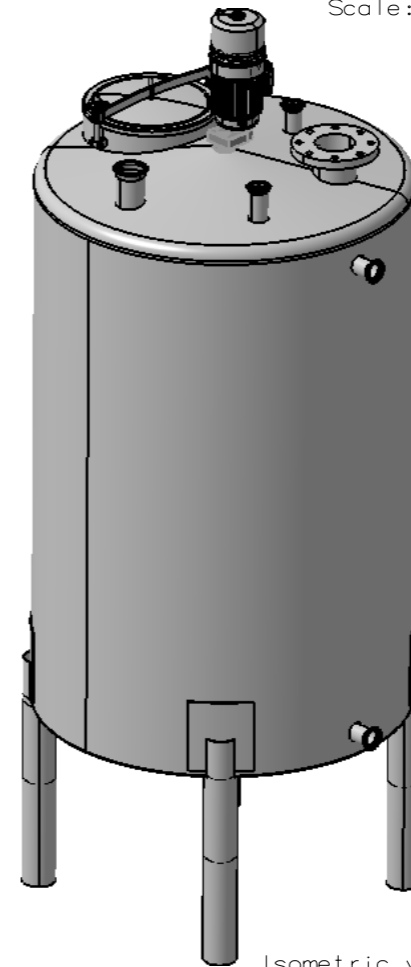
Section view A-A
Scale: 1:20



Auxiliary view D
Scale: 1:20



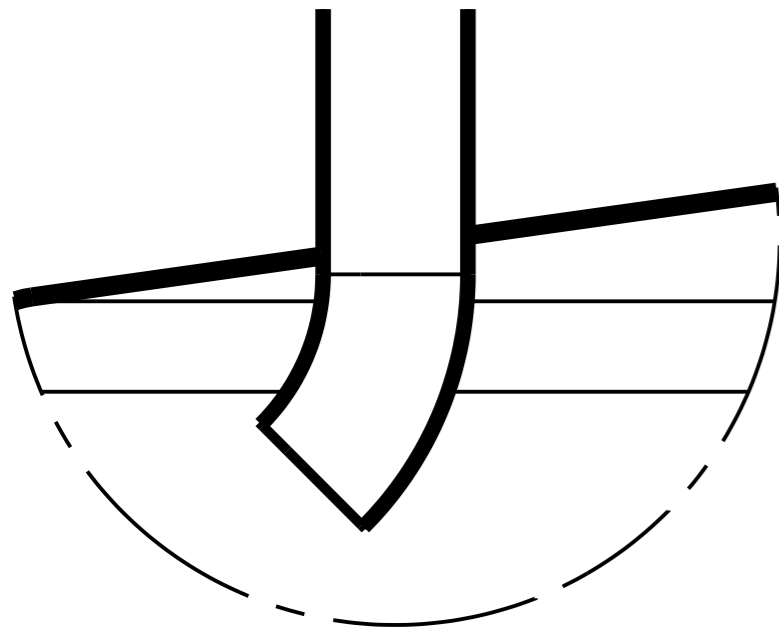
Front view
Scale: 1:20



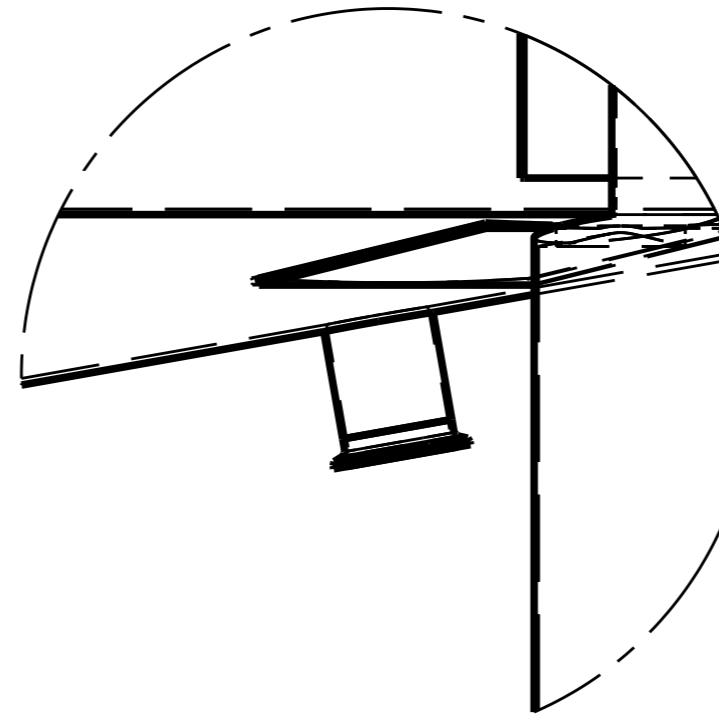
Isometric view
Scale: 1:20

NO	NAME	SIZE	THICKNESS
NO.01	M	NPS-14	"
NO.02	A1	51 mm	"
NO.03	A2	51 mm	"
NO.04	A3	76.1 mm	"
NO.05	V	NPS-4	"
NO.06	Agitator	---	"
NO.07	L1	51 mm	"
NO.08	L2	51 mm	"
NO.09	L3	51 mm	"
NO.10	B	63.5 mm	"
NO.11	T1	38 mm	"
NO.12	T2	38 mm	"
NO.13	Shaft	---	"
NO.14	Blade	---	"
NO.15	leg	Pipe 3" SCH 40	"

SHELL THICKNESS = 3MM
PAD THICKNESS = 3MM



Detail F
Scale: 1:10



Detail B
Scale: 1:10

NO	NAME	SIZE	THICKNESS
NO.01	M	NPS-14	"
NO.02	A1	51 mm	"
NO.03	A2	51 mm	"
NO.04	A3	76.1 mm	"
NO.05	V	NPS-4	"
NO.06	Agitator	---	"
NO.07	L1	51 mm	"
NO.08	L2	51 mm	"
NO.09	L3	51 mm	"
NO.10	B	63.5 mm	"
NO.11	T1	38 mm	"
NO.12	T2	38 mm	"
NO.13	Shaft	---	"
NO.14	Blade	---	"
NO.15	leg	Pipe 3" SCH 40	"

List of nozzles and equipment

ITEM	SERVICE	NO.	DN	PIPE(ID)	FACING	BOLTING	MATERIAL	FLANGE Thickness
01	M	1	350	----	----	----	AISI 304L	----
02	A1	"	51	----	CLAMP	----	AISI 304L	----
03	A2	"	51	----	CLAMP	----	AISI 304L	----
3-1	Inlet pipe	"	51	----	----	----	AISI 304L	----
04	A3	"	76.1	----	CLAMP	----		----
05	V	"	100	----	R.F.	----	AISI 304L	EN-1092-PN 16
06	Agitator	"	VTA	----	----	----	AISI 403L	----
07	L1	"	51	----	CLAMP	----	AISI 304L	----
08	L2	"	51	----	CLAMP	----	AISI 304L	----
09	L3	"	51	----	CLAMP	----	AISI 304L	----
10	B	"	63.5	----	CLAMP	----	AISI 304L	----
11	T1	"	38	----	CLAMP	----	AISI304L	----
12	T2	"	38	----	CLAMP	----	AISI 304L	----
13	Shaft	"	VTA	----	----	----	AISI 304L	----
14	Blade	"	VTA	----	----	----	AISI 304L	----
15	LEG	4	80	SCH 40	----	----	AISI 304.	----